

# RC6702HD



## H.264 Full HD Compact Indoor / Outdoor IR Bullet IP Camera

- Full HD1080p @ 30fps
- Video Compression: H.264, MJPEG
- True Day/Night and WDR
- Built-in IR illuminator with Smart IR
- Remote zoom and focus, one click focus\*\*
- MicroSD/SDHC Memory Card Slot
- ONVIF Support, IP66, PoE (IEEE 802.3af)
- Embedded VCA Technology Video Analytics
- Burnt-in Text, Video Motion Detection



### Specifications

CAMERA	
<b>Model</b>	RC6702HD-6211: Varifocal lens RC6702HD-6311: Motorized Focus & Zoom lens
<b>Image Sensor</b>	SONY EXMOR 1/2.9" 1080p CMOS
<b>Effective Pixels</b>	1920 x 1080
<b>Scanning System</b>	Progressive scanning
<b>AGC Control</b>	Auto, adjustable amplification level
<b>Auto IRIS (DC)</b>	Iris control via camera unit
<b>Minimum Illumination</b>	6211 Color: 0.3 lux (DSS8), - BW: 0.05 lux (IR On)
	6311 Color: 0.3 lux (DSS8), - BW: 0.05 lux (IR On)
<b>Megapixel Lens 1/2.9" M19 - Mount</b>	6211 3.0(w) – 9.0mm(t), F1.5(w) – F2.5(t), Manual Vario
	6311 2.8(w) – 12.0mm(t), F1.4(w) – F2.6(t), Motorized Focus & Zoom Control – One Click Focus Function
<b>Angle of View</b>	6211 Horizontal: Approx. 98.2°(Wide) to 37.4°(Tele) Vertical: Approx. 55.2°(Wide) to 21.6°(Tele)
	6311 Horizontal: Approx. 100°(Wide) to 35°(Tele) Vertical: Approx. 54°(Wide) to 20°(Tele)
<b>Shutter Time</b>	1/10000s to 1/2s
<b>Shutter Exposure Modes</b>	Automatic - with configurable min/max shutter speed (exposure time range) Manual - with configurable fixed shutter speed Flicker-Control - 50/60Hz
<b>Day &amp; Night Switching</b>	Auto/Manual (both switching level adjustable 1 ~ 64) removable IR Cut Filter
<b>Image Settings</b>	Configurable brightness, contrast, saturation, sharpness, vertical flip & horizontal mirror function, Corridor Mode (-90° / +90° image flip)
<b>2D-DNR</b>	Configurable digital noise reduction 1 ~ 16
<b>Wide Dynamic Range</b>	Up to 100dB Dynamic Range with activated WDR
<b>Exposure Adjustment</b>	+1.0, +0.6, +0.3, 0, -0.3, -0.6, -1.0 EV
<b>White Balance</b>	ATW1 / ATW2 / Push / Manual
<b>DSS (Sens-up)</b>	Configurable digital slow shutter 2X ~ 16X
<b>Backlight Compensation</b>	BLC On/Off (possible to designate zone)
<b>Focus Assistant</b>	6311 Video display to simplify the focus point adjustment
<b>SNR</b>	>50db

IR ILLUMINATOR	
<b>IR LED</b>	6211 High Power IR LED x 12 (850nm)
	6311 High Power IR LED x 16 (850nm)
<b>IR Working Distance</b>	6211 up to 30m
	6311 up to 35m
<b>SMART IR</b>	Automatically adjust the infrared light to the best, according to the brightness of the scene
VIDEO	
<b>Video Compression</b>	H.264 Baseline, Main, High profile (MPEG-4 Part 10/ AVC), MJPEG (Motion JPEG)
<b>Video Streaming</b>	Dual Stream, Independent Configurable <b>H.264:</b> Controllable frame rate and image resolution, bandwidth limitation (CVBR/CBR) <b>MJPEG:</b> Controllable frame rate and image resolution, JPEG quality
<b>Resolutions</b>	16:9 mode 1920x1080, 1280x720, 1120x630, 960x540, 800x450, 640x360, 480x270, 320x180
	4:3 mode SXGA(1280x960), XGA(1024x768), SVGA(800x600), PAL(720x576), NTSC(720x480) VGA(620x480), QVGA(320x240)
<b>Frame Rate</b>	H.264: Configurable up to max 30fps in all resolution* MJPEG: Configurable up to max 30fps in all resolution*
<b>Motion Detection</b>	Max. 8 zones with independent configuration of detection sensitivity and target object size
<b>Video Stabilization</b>	Supported for First/Second Stream and Snapshot
<b>Defogging</b>	Selectable Defogging level (low, medium, high)
<b>Text Overlay</b>	Free positioning of display for time/ data/ name (name up to 48 signs)
<b>Privacy Mask Zones</b>	4 flexible configurable regions
<b>Analogue Video</b>	NTSC/PAL Video Signal (1.0Vp-p, 75Ω)
NETWORK	
<b>Ethernet Standard/IP</b>	10 / 100 Base-T / IPv4, IPv6
<b>Protocol</b>	QoS Layer 3 DiffServ, TCP/IP, UDP/IP, HTTP, HTTPS, FTP, RTSP, RTCP, RTP/UDP, RTP/TCP, mDNS, UPnP™, SMTP, DHCP, DNS, DynDNS, NTP, SNMPv1/v2c/v3(MIB-II), IGMP, ICMP, SSLv2/v3, TLSv1, SRTP, RTMP
<b>Users Connection</b>	Live viewing for up to 10 clients
<b>Security</b>	HTTPS(SSL), IP Filtering, Multi-level access with password protection
GENERAL	
<b>I/O Terminal</b>	1x Alarm In - max 50mA@5VDC, TTL 1x Alarm Out - max 50mA@24VDC, TTL

GENERAL	
<b>Edge Storage</b>	Via micro SD/SDHC (up to 32GB) card for continuous or event recording. Search interface for event files, playback and download (card not included).
<b>Application Programming Interface</b>	Software Development Kit (SDK) available
<b>Event Metadata Streaming RTSP/RTP</b>	Video Motion Detection(MD), Video Content Analytics(VCA)
<b>ONVIF</b>	Version: 2.41 (Support Profile S and G)
<b>Event Sources</b>	Sensor(DI), Video Motion Detection, Tamper Detection, Video Content Analytics(VCA), Network Loss/Detect, Network Setting Change, Time (Recurrere/Schedule)
<b>Event Actions</b>	Notification service via TCP/IP, HTTP, multicast or email text messages with snapshot, DO-contact, file upload on external FTP server, local SD memory card recording
<b>Approvals</b>	FCC, CE, KC, UL, IP66, RoHs
ELECTRICAL	
<b>Power Source</b>	12V DC / PoE (IEEE 802.3af)
<b>Power Consumption</b>	<b>6211</b> DC 12V, PoE / Max. 12W @ DC 12V
	<b>6311</b> DC 12V, PoE / Max. 9W @ DC 12V
ENVIROMENT	
<b>Operation Temperature</b>	DC12V : -20°C ~ 50°C (-4°F ~ 122°F) PoE : -20°C ~ 50°C (-4°F ~ 122°F)
<b>Operating Humidity</b>	Up to 85% RH, Non-condensing
MECHANICAL	
<b>Material</b>	Aluminum Die Casting
<b>Color</b>	White
<b>Dimension</b>	86(W) x 83.5(H) x 287(D)mm (with bracket)
<b>Weight (Approx)</b>	<b>6211</b> 860g (1.90 lbs)
	<b>6311</b> 870g (1.92 lbs)

### VIDEO CONTENT ANALYSIS (Included as a Standard)

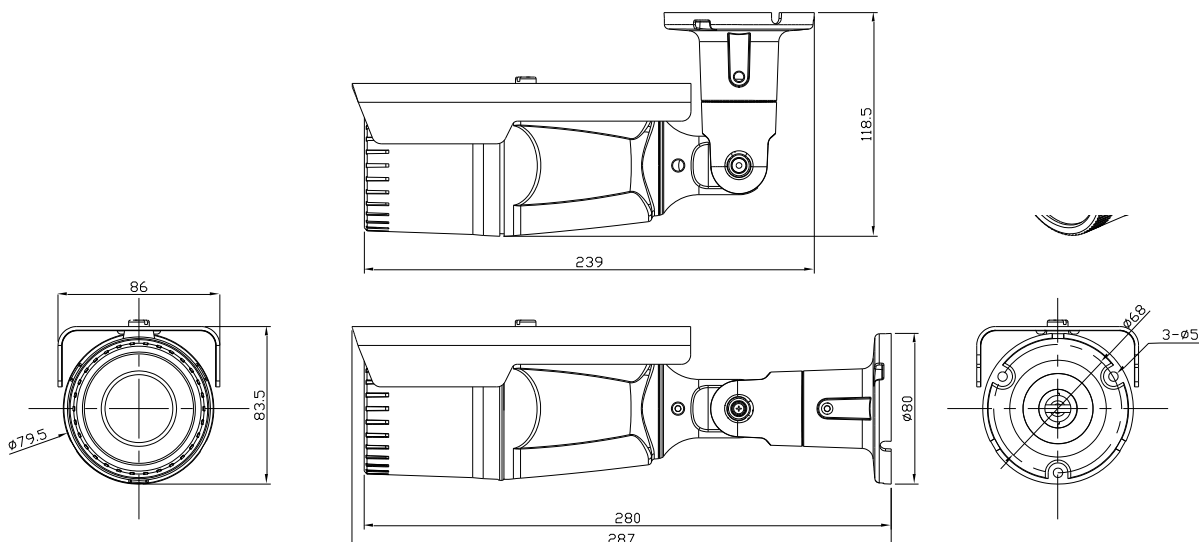
<b>High Performance</b>	Advanced tracking algorithm and low false alarm rate
<b>Easy to Use</b>	Intuitive web browser interface
<b>Detection Zones and Rules</b>	Up to 40 zones (multi-segment polygons and lines) 60 VCA filter rules in total
<b>On-screen Display</b>	Real-time display of tracking data and events via activeX plug-in in IE browser
<b>Burnt in Annotation</b>	Allows the VCA annotation to be burnt into the raw video stream for displaying on third party application
<b>Tamper Detection</b>	Recognize camera tampering via VCA detection (defocusing, lens covering, camera moving)

### VIDEO CONTENT ANALYSIS (Option extension License)

<b>Available License</b>	VCAdetectIP, VCAcountIP, VCAsurveillanceIP, VCAadvancedIP, VCAprofessionalIP
<b>VCA Detection Filters</b>	Objekt: Enter, Exit, Appear, Disappear, Stop, Direction, Dwell, Speed, Unauthorized Access, Counting Line, Color Filter, Object Classification
<b>VCA Features</b>	<ul style="list-style-type: none"> <li>- Up to 20 Onscreen Counter Displays</li> <li>- Counting-Line for accuracy people and vehicle counting with local database and reporting service</li> <li>- VCA calibration via 3D tools for right object size detection</li> <li>- Several definable object class to include into the detection rules for the VCA alarm</li> <li>- 10 colors in total to distinguish objects by color</li> <li>- People tracking mode to tracks individuals separately among overlapped multiple people</li> <li>- Heatmap Report shows relative crowd density of the 24 hour period (criterion: midnight)</li> </ul>
<b>Logical Rules</b>	Extension of alarm rules using logical operators (AND, OR..) for the VCA detection filters of created zones / lines
<b>Info VCA</b>	Details regarding supported VCA filters and features of the different extension licenses find on <a href="#">RIVA Product Overview</a> document

## Dimension RC6702HD

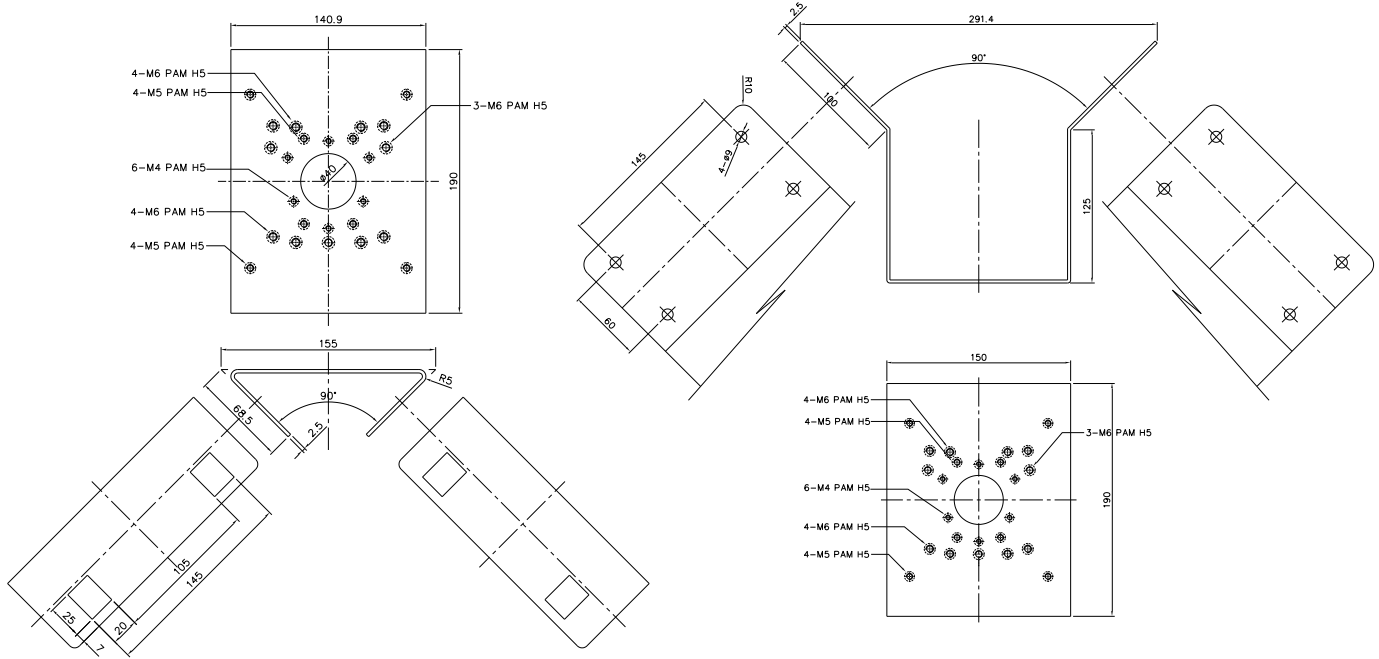
(Unit: mm)



\* If VCA is activate, frame rate is limit to max15fps@1080p. Limitations are based on V.1.9.0 firmware release and could be changed without notice

\*\* Only available with RC6702HD-6311

## Accessories

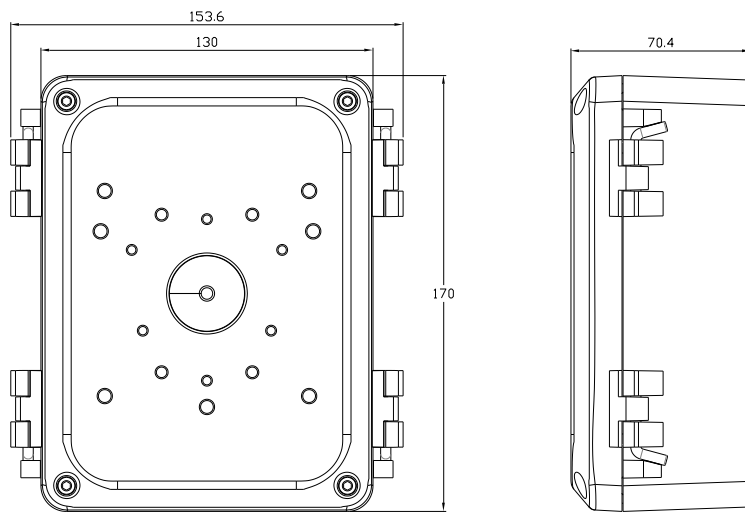


### Pole Mount Adaptor

Model: PMA-U100  
Weight: 2,28Kg (5.0lbs)

### Corner Mount Adaptor

Model: CMA-U100  
Weight: 946g (2.1lbs)



### Junction Box

Model: JBK-U100  
Weight: 1.02Kg (2.2lbs)

To mount bullet camera model RC6602HD/RC7602HD/RC6802HD on pole or corner the adaptor PMA-6000 or CMA-6000 can use alternative.